



40-CH 100G Athermal AWG



Shenzhen Optostar Optoelectronics Co., Ltd

2013. 05 (Version 2)

Overview

OPTOSTAR offers a full range of Thermal/Athermal AWG products, including 50GHz, 100GHz and 200GHz Thermal/Athermal AWG. Here we present the generic specification for the 40-channel 100GHz Gaussian Athermal AWG (40 channel AAWG) MUX/DEMUX component supplied for use in DWDM system.

Product Features

- Low Insertion Loss
- Established silica-on-silicon
- Low PDL
- Low chromatic dispersion
- Telcordia GR-1221-CORE qualified

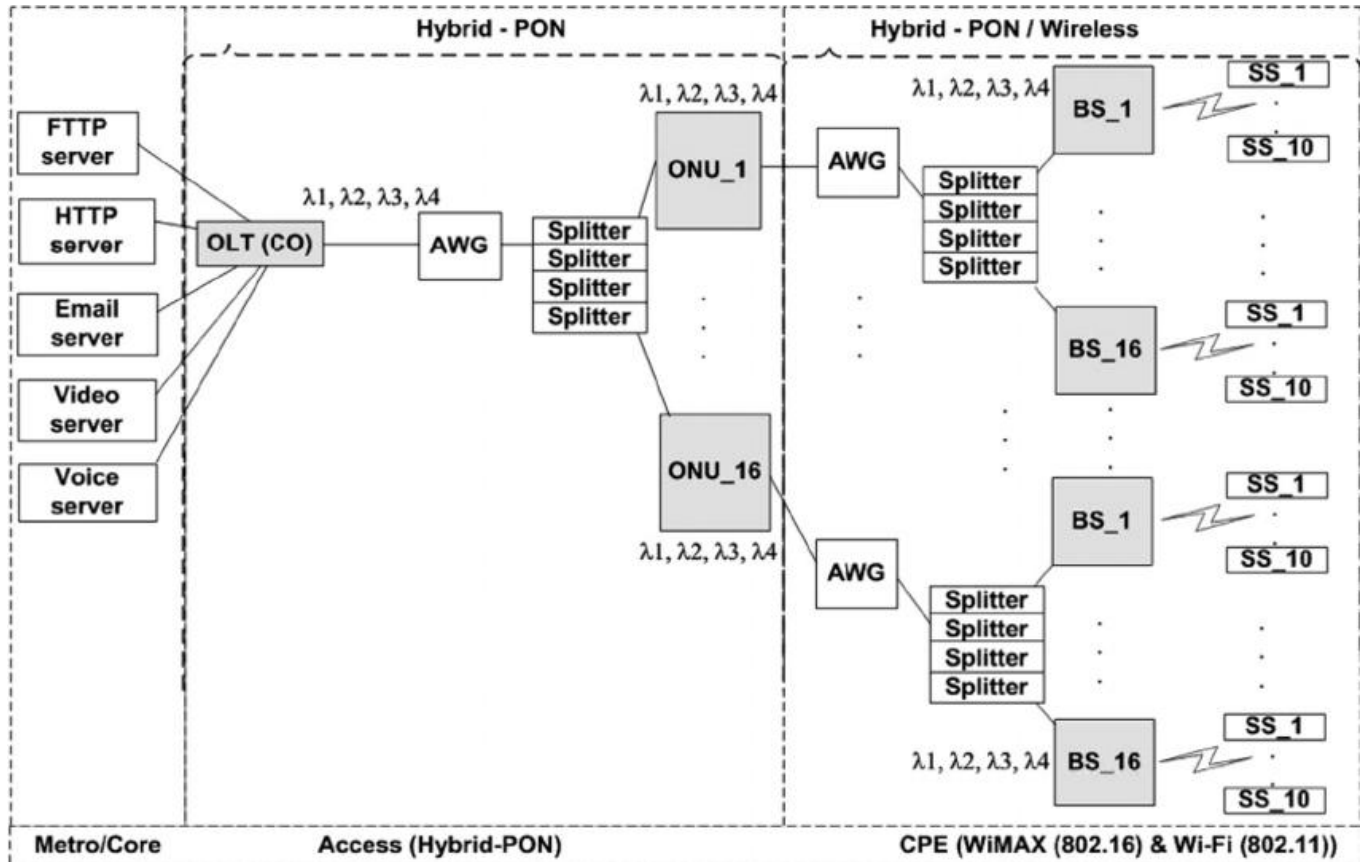
Technical Parameter

Parameter		Specification		
		MIN	Typ	Max
Number of Channels		40		
Number Channel Spacing (GHz)		100		
Cha. Center Wavelength (nm)		C-Band		
Clear Channel Passband(GHz)		±12.5		
Wavelength Stability (nm)		±0.005		
-1 dB Channel Bandwidth (nm)		0.4		
-3 dB Channel Bandwidth (nm)		0.24		
Optical Insertion Loss at ITU grid (dB)			4.5	6.0
Isolation (dB)	Adjacent	25		
	Non-Adjacent	29		
	Total Channel Isolation	22		

Insertion Loss Uniformity (dB)			1.5
Directivity(Mux Only) (dB)	40		
Insertion Loss Ripple (dB)			1.2
Optical Return loss (dB)	40		
PDL/Polarization Dependent Loss in Clear Channel Band (dB)		0.3	0.5
Polarization Mode Dispersion (ps)			0.5
Maximum Optical Power (mW)			23
MUX/DEMUX input/ output Monitoring range(dB/°C)	-35		+23
Operating Temperature(°C)	-5	+25	+65
Operating Humidity(%RH)	5		95
Storage Temperature(°C)	-40		+85
Storage Humidity(%RH)	5		95
Package Size(mm)	L120×W70×H10		
Size between screws(mm)	110 x 60		

- 1、 IL Represents the worst case over a +/-0.01nm window around the ITU wavelength;
- 2、 PDL was measured on average polarization over a +/- 0.01nm window around the ITU wavelength.

Application



- DWDM transmission
- Wavelength Routing
- Optical add/drop multiplexing

Order Information

Description
40-CH 100G Athermal AWG
<p>Note: Band: C-Band,L-Band,C+L-Band,Special Spacing: 50G,100G,200G,Special (Optional) 1st Channel: H58, C59, H59, C60, Special(Optional) Filter Shape: Gaussian, Broad Gaussian, Flat Top(Optional) Package:Module, Rack, Special (Optional) Fiber Length: 0.5m, 1m, 1.5m, 2m, 2.5m, 3m, Specify (Optional) In/Out connector: None, FC/APC, FC/PC, SC/APC, SC/PC, LC/APC, LC/PC, ST/UPC, Specify(Optional) Number of Channels: 16 CH, 32 CH, 40 CH, 48 CH, Specify(Optional)</p>

Important Notice

Performance figures, data and any illustrative material provided in this data sheet are typical and must be specifically confirmed in writing by OPTOSTAR before they become applicable to any particular order or contract. In accordance with the OPTOSTAR policy of continuous improvement specifications may change without notice.

The publication of information in this data sheet does not imply freedom from patent or other protective rights of OPTOSTAR or others. Further details are available from any OPTOSTAR sales representative.

Contact OPTOSTAR

Shenzhen Optostar Optoelectronics Co., Ltd

Address:A-14,Haide Building,the Intersection of Nanxin Road and Haide Second Road Nanshan District Shenzhen,China .

Tel: +86-755-26400198 +86-755-26400288 Fax: +86-755-26411001

Email: info@optostar.com.cn

Skype:ouyangroya

Web: www.optostar.com.cn