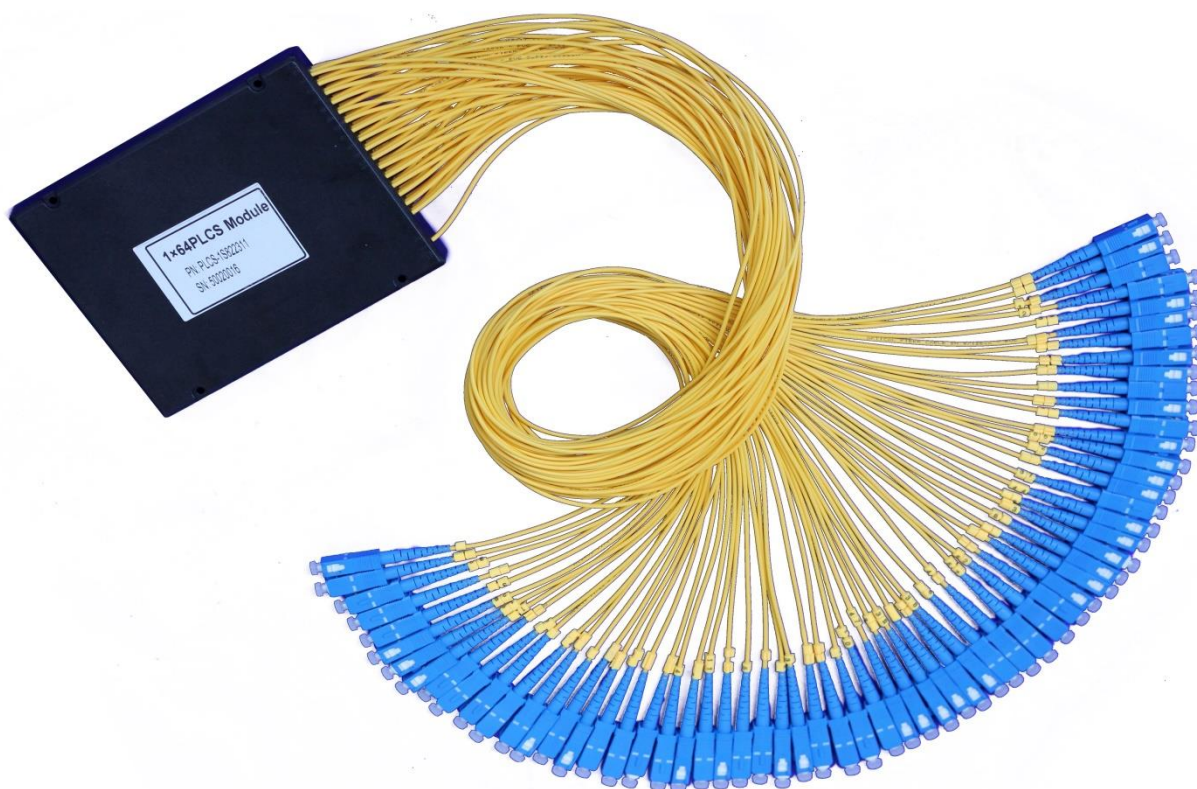




## PLC Splitter - ABS Box



Shenzhen Optostar Optoelectronics Co., Ltd

2013. 08Version 2)

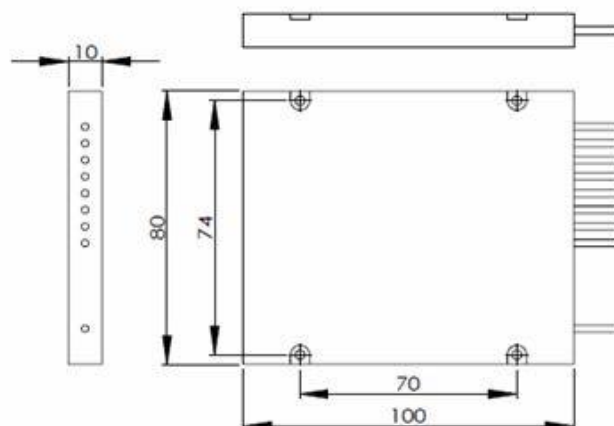
## Overview

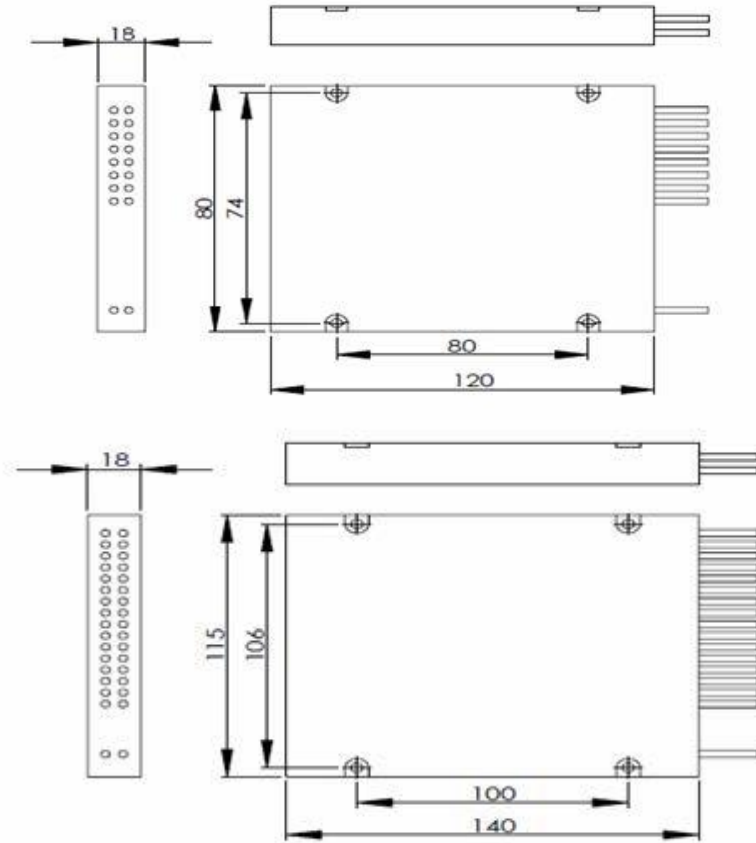
Planar lightwave circuit (PLC) splitter is a type of optical power management device that is fabricated using silica optical waveguide technology. It features small size, high reliability, wide operating wavelength range and good channel-to-channel uniformity, and is widely used in PON networks to realize optical signal power splitting. Optostar provides whole series of 1xN and 2xN splitter products that are tailored for specific applications. All products meet GR-1209-CORE and GR-1221-CORE requirements.

## Product Features

- Low Insertion Loss
- Low PDL
- Compact Design
- Good channel-to-channel uniformity
- Wide Operating Wavelength: From 1260nm to 1650nm
- Wide Operating Temperature: From -40°C to 85°C
- High Reliability and Stability

## Package Dimension





**Technical Parameter**

<b>Specifications 1×N PLC Splitter</b>							
Parameters	1×2	1×4	1×8	1×16	1×32	1×64	1×128
Operating Wavelength (nm)	1260~1650						
Fiber Type	G657A1 or customer specified						
Insertion Loss (dB)(P/S Grade)	3.8/4.0	7.1/7.3	10.2/10.5	13.5/13.7	16.5/16.9	20.5/21.0	23.8/24.2
Loss Uniformity (dB)	0.4	0.6	0.8	1.2	1.5	2.0	2.5
Polarization Dependent Loss (dB)	0.2	0.2	0.2	0.25	0.3	0.35	0.4
Return Loss(dB) (P/S Grade)	55/50	55/50	55/50	55/50	55/50	55/50	55/50
Directivity (dB)	55	55	55	55	55	55	55
Wavelength Dependent Loss (dB)	0.3	0.3	0.3	0.5	0.5	0.5	0.5
Temperature Stability (-40~85℃) (dB)	0.4	0.4	0.4	0.5	0.5	0.5	0.5
Operating Temperature(℃)	-40~+85						
Storage Temperature(℃)	-40~+85						
Device Dimension (mm)	40×4×4	40×4×4	40×4×4	50×7×4	50×7×4	60×12×4	N/A
Module Dimension (mm)	100×80×10			120×80×18	141×115×18		
Mini-Module Dimension (mm)	50×7×4			60×12×4	80×20×6	100×40×6	N/A

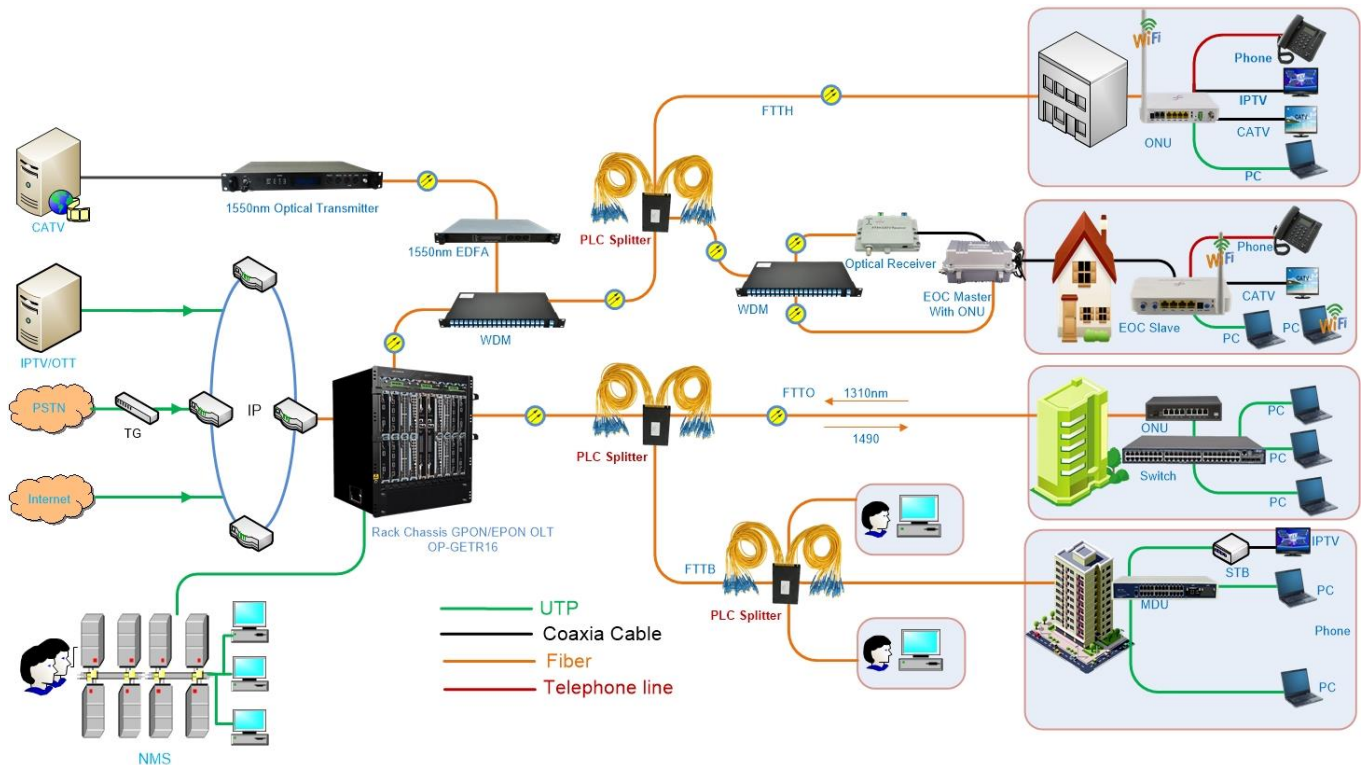
<b>Specifications 2×N PLC Splitter</b>							
Parameters	2×2	2×4	2×8	2×16	2×32	2×64	2×128
Operating Wavelength (nm)	1260~1650						
Fiber Type	G657A1 or customer specified						
Insertion Loss (dB) P/S Grade)	3.9/4/2	7.3/7.6	10.5/11	14.4/14.6	17.4/17.9	21.0/21.5	24.5/25.0
Loss Uniformity (dB)	≤0.6	≤1.0	≤1.2	≤1.5	≤1.8	≤2.2	≤2.5
Polarization Dependent Loss (dB)	≤0.2	≤0.2	≤0.2	≤0.3	≤0.3	≤0.3	≤0.4
Return Loss(dB)(P/S Grade)	≥55	≥55	≥55	≥55	≥55	≥55	≥55
Directivity (dB)	55	55	55	55	55	55	55
Wavelength Dependent Loss (dB)	≤0.3	≤0.4	≤0.5	≤0.5	≤0.5	≤0.5	≤0.5
Fiber Length (m)	1.5(±0.1)or customer specified						
Temperature Stability (-	≤0.5						

40~85℃) (dB)	
Operating Temperature(℃)	-20~+75
Storage Temperature(℃)	-40~+85
Maximum Power Handling (mW)	500

- 1、 The above parameters were measured at room temperature, but not including connectors data.
- 2、 Add an additional 0.2dB loss per connector, Return Loss≥55dB(APC), ≥50dB(UPC).

ABS type												
Item	1×2	1×4	1×8	1×16	1×32	1×64	2×2	2×4	2×8	2×16	2×32	
(L*W*H) (mm)	100*80*10			100*80*10 0 120*80*18	120*80*18 8 140*115*18	140*115*18	100*80*10			120*80*18	140*115*18	

### Application



- FTTH Systems
- PON Networks
- CATV Links

- Optical Signal Distribution

### Order Information

Description
<b>PLC Splitter - ABS Box</b>
<b>Note:</b> Port: 1x2,1x4,1x8,1x16,1x32,1x64,1x128,2x4,2x8,2x16, 2x32, 2x64, 2x128(Optional) Input Pitgail Style: Bare fiber,900um loose tube, 2.0mm Cable,3.0mm Cable (Optional) Input Connector: None,FC/APC,FC/PC,SC/APC,SC/PC,ST,LC,LC/APC,E2000,Special (Optional) Output Pitgail Style: Bare fiber,900um loose tube, 2.0mm Cable,3.0mm Cable (Optional) Fiber Length: 0.5m,1m,1.5m,2m,3m,4m,Special (Optional) Output Connector: None,FC/APC,FC/PC,SC/APC,SC/PC,ST,LC,LC/APC,E2000,Special (Optional) Package: Bare,Mini type, ABS box,Insert type,Pallet type,19"1U Rack,Special (Optional)

### Important Notice

Performance figures, data and any illustrative material provided in this data sheet are typical and must be specifically confirmed in writing by OPTOSTAR before they become applicable to any particular order or contract. In accordance with the OPTOSTAR policy of continuous improvement specifications may change without notice.

The publication of information in this data sheet does not imply freedom from patent or other protective rights of OPTOSTAR or others. Further details are available from any OPTOSTAR sales representative.

## Contact OPTOSTAR

### Shenzhen Optostar Optoelectronics Co., Ltd

Address:A-14,Haide Building,the Intersection of Nanxin Road and Haide Second Road Nansha n District Shenzhen,China .

Tel: +86-755-26400198 +86-755-26400288 Fax: +86-755-26411001

Email: [info@optostar.com.cn](mailto:info@optostar.com.cn)

Skype:ouyangroya

Web: [www.optostar.com.cn](http://www.optostar.com.cn)