



Fiber Optic Cable Patch Cord

ST-SC MM



Shenzhen Optostar Optoelectronics Co., Ltd

2011. 06 (Version 2)

Overview

A patch cord can be split into three crucial components, the connector, the cable and the manufacturing process. These three areas all contribute to the performance of a patch cord, but above all the manufacturing process is the one that defines the performance of the assembly. And it can be combined any items, including angled (angle polish) SCA, MUA, STA, LCA, MPO Angled.

Product Features

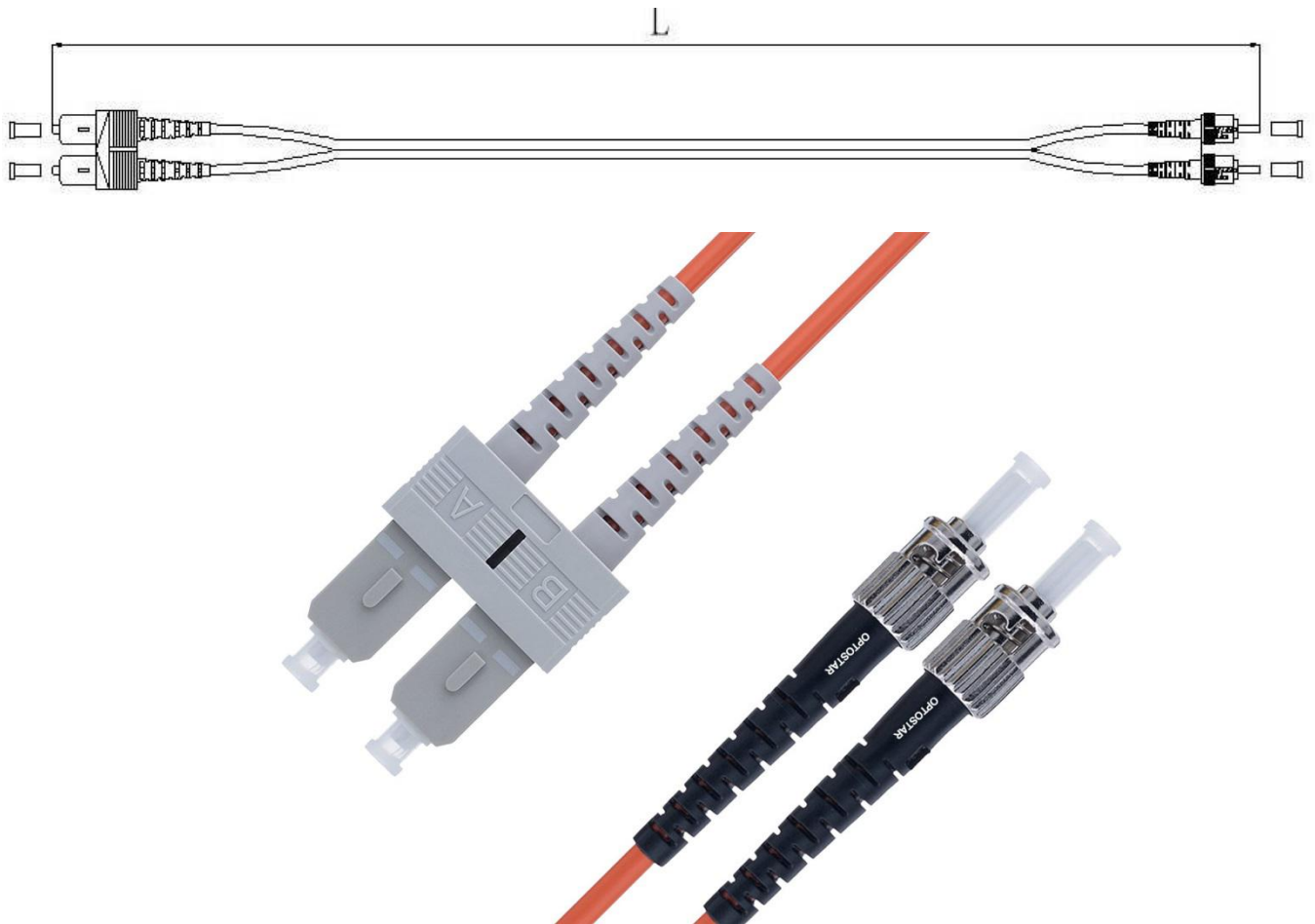
- Quick, highly repeatable, low-loss connections
- Simplex & Duplex
- Singlemode & Multimode
- PC, UPC & APC polishing
- Various boot (cable) sizes available
- FC/ LC/ SC/ ST/ MTR/ MPO connectors available
- Interferential parameters
- Hybrid patch-cords are available upon request

Application

- ODF of optical transmission system
- Connection of optical transmission equipment
- Telecommunication network
- Computer network
- CATV
- High quality graphic transmission network
- High speed data transmission network

Technical Parameter

PARAMETER	UNIT	FC, SC, LC				ST, MU			MT-RJ, MPO		
		SM			MM	SM		MM	SM		MM
		PC	UPC	APC	PC	PC	UPC	PC	PC	UPC	PC
Insertion Loss (Typical)	dB	≤0.3	≤0.2	≤0.3	≤0.2	≤0.3	≤0.2	≤0.2	≤0.3	≤0.2	≤0.2
Return Loss	dB	≥45	≥50	≥60	≥30	≥45	≥50	≥30	≥45	≥50	≥35
Operating Wavelength	nm	1310, 1510									
Exchangeability	dB	≤0.2									
Vibration	dB	≤0.2									
Operating Temperature	°C	-40°C to 75°C									
Storage Temperature	°C	-40°C to 85°C									
Cable Diameter	mm	φ 3.0 φ 2.0 φ 0.9 or customized									
Material of the jacket		PVC or LSZH or customized									
Color of the jacket		SM yellow, OM1, OM2 orange, OM3 aqua, or customized									
Single mode fiber		ITU- T G.652, or G655, or G657									
Multi mode fiber		ITU-TG.651									
Fiber type		9/125 μm (OS1), or 62.5/125μm (OM1), or 50/125μm (OM2, OM3)									



Important Notice

Performance figures, data and any illustrative material provided in this data sheet are typical and must be specifically confirmed in writing by OPTOSTAR before they become applicable to any particular order or contract. In accordance with the OPTOSTAR policy of continuous improvement specifications may change without notice.

The publication of information in this data sheet does not imply freedom from patent or other protective rights of OPTOSTAR or others. Further details are available from any OPTOSTAR sales representative.

Contact OPTOSTAR

Shenzhen Optostar Optoelectronics Co., Ltd

Address:A-14,Haide Building,the Intersection of Nanxin Road and Haide Second Road Nanshan District Shenzhen,China .

Tel: +86-755-26400198 +86-755-26400288 Fax: +86-755-26411001

Email: info@optostar.com.cn

Skype:ouyangroya

Web: www.optostar.com.cn