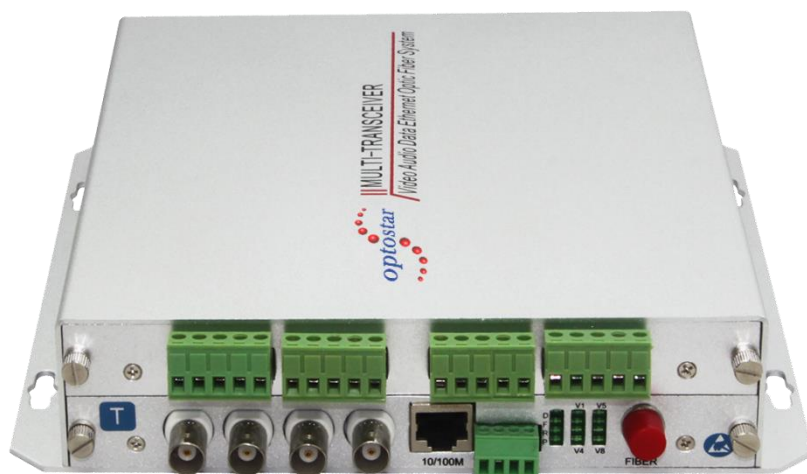




4 video+1 Forward Audio Video Multiplexer

OP-VM-4V1A



Shenzhen Optostar Optoelectronics Co., Ltd

2014. 02 (Version 1)

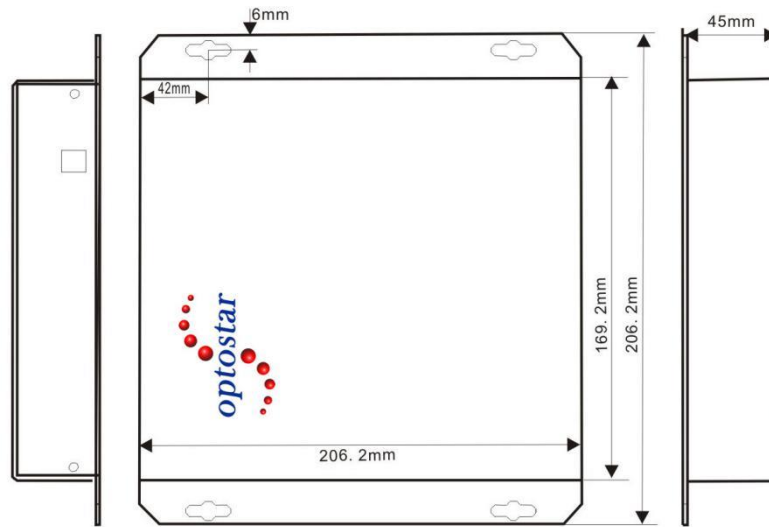
Product Features

- Card-type or Stand-alone type for your choice; suitable for concentration management in 4U Racks
- 10 –digit coding and non-compression video transmission
- supporting any high –resolution video signal
- automatically compatible with PAL, NTSC and SECAM video format
- Supporting video intact regenerative relay, the video transmission can be reach above 200km
- Supporting advanced SNMP standards, realise long-distance web-controlling
- LED indication of power and other parameter status, monitoring real-time operation
- Modularized and industrialized design ensuring reliability and flexibility

Target Industries

- Intelligent transportation supervisory system (ITS)
- High-speed Way supervisory/Tele-Communication System
- Security protection system, TV medical treatment
- Long-distance Multi-media Schooling, Campus monitoring
- Long-distance broadcast television transmission system
- High-building Security Protection, Military Tele-Com projects

Product Size

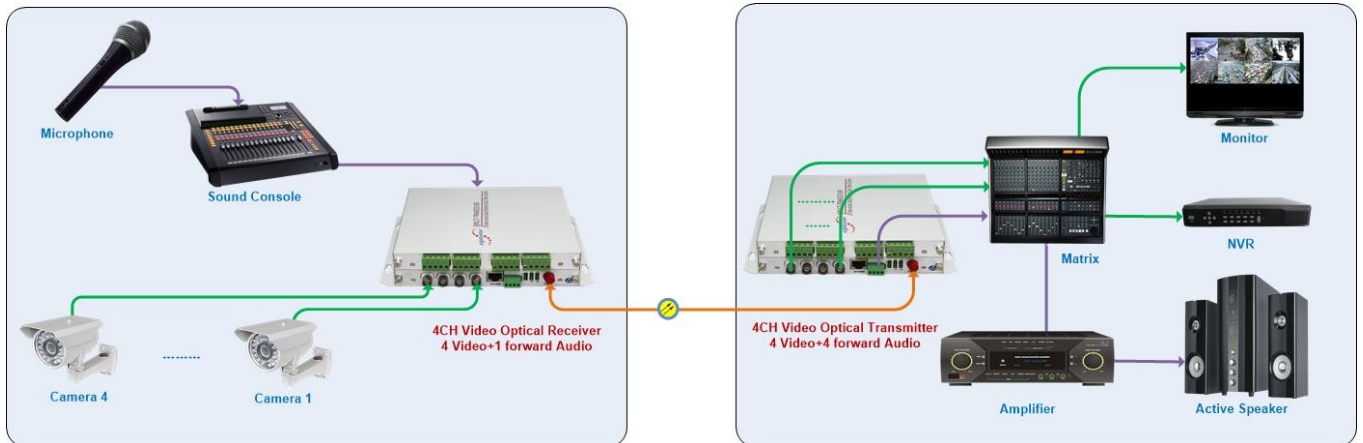


Technical Parameter

Product Name	4CH Audio Video Optical Transmitter and Receiver
Product Model	OP-VM-4V1A
Connector Type	4 BNC port, 1 audio port, 1 FC fiber port
Video Interface	BNC
Video Bandwidth	10MHz
Video Bit Wide	8/10/12 bit
Differential Gain	(10%-90%APL) DG<1%
Differential Phase	10%-90%APL) DG<0.7dB
Video SNR	S/N≥70dB
Data Interface	Industrial terminal blocks
Audio Bandwidth	20Hz~20kHz
Audio SNR	S/N≥85dB
Power Supply	External power adapter(input: AC100-240V 50/60Hz; output: 5V 1A
Power Consumption	2.5W(Input:DC5V 1000mA)
Transmission Distance	Single Mode for 25km, Multi-Mode for 500m
Working Environment	Environment temperature: -40 ℃~+85 ℃; storage temperature:-45 ℃~+95 ℃; relative humidity: 0~

	95%
Dimension	LxWxH:116X87.5X25.5mm
Certification	FCC Class A, CE, ROHS
Warranty	3 years

Application



Order Information

Model	Description	Max Transmission Distance (KM)
OP-VM-4V1A-M-0.5	4 video+1 forward Audio	0.5KM(Multi-mode)
OP-VM-4V1A-S-20	4 video+1 forward Audio	20KM(Single-mode)
OP-VM-4V1B-S-20	4 video+1Bi-directional Audio	20KM(Single-mode)
OP-VM-4V1A-20	4 video+1 stereo Audio	20KM(Single-mode)
OP-VM-4V4A-S-20	4 video + 4 forward Audio	20KM(Single-mode)

Note: The interface can be ST or FC, according to the different requirements from customers. The fiber optic transmission distance can be ordered. (40km, 60km, 100km...)

(F:10/100M Ethernet;G:10/100/1000 Ethernet; T:Telephone ; V:Forward Video;E: Bi-directiona Video; A:Forward audio; B:Bi-directiona audio; R: reverse data; D:Bi-directiona Data; W:Switch/alarm)

S-40:40KM; S-60: 60KM; S-100: 100KM -S: Single-mode; -M: Multi-mode

Package include

No	Package List
1	Video Multiplexer Multiplexer
2	User Guide
3	Warranty Card
4	Qualified Certification
5	Power Adapter
6	Facility

Important Notice

Performance figures, data and any illustrative material provided in this data sheet are typical and must be specifically confirmed in writing by OPTOSTAR before they become applicable to any particular order or contract. In accordance with the OPTOSTAR policy of continuous improvement specifications may change without notice.

The publication of information in this data sheet does not imply freedom from patent or other protective rights of OPTOSTAR or others. Further details are available from any OPTOSTAR sales representative.

Contact OPTOSTAR**Shenzhen Optostar Optoelectronics Co., Ltd**

Address:A-14,Haide Building,the Intersection of Nanxin Road and Haide Second Road Nanshan District Shenzhen,China .

Tel: +86-755-26400198 +86-755-26400288 Fax: +86-755-26411001

Email: info@optostar.com.cn

Skype:ouyangroya

Web: www.optostar.com.cn