



Fiber Optic Splice Closure

OP-V120 Series(12/24/36/48/60/72/84/96 Fiber)



Shenzhen Optostar Optoelectronics Co., Ltd

2011. 03(Version 3)

Overview

OPTOSTAR OP-V120 Series is dome type fiber optic splice closure with heat shrinkable sealing, suitable for different optical fiber cable splicing, connection and protection.

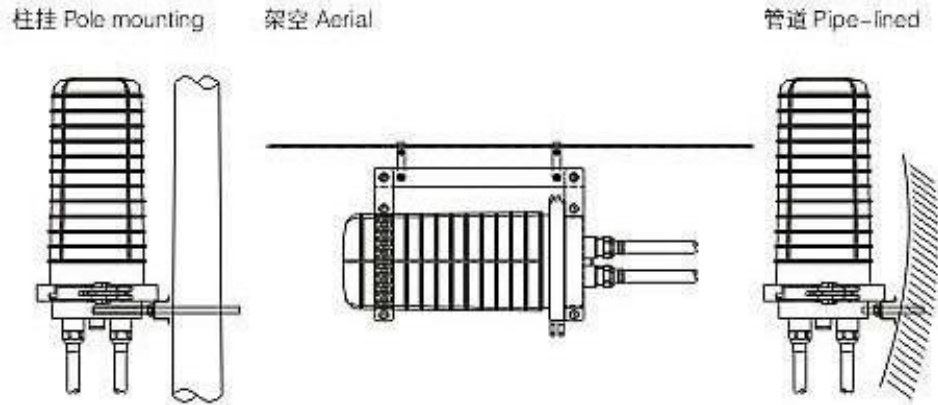
Product Features

- High quality engineering plastic
- High mechanical strength, corrosion resistance, good aging resistance
- High quality silicone rubber seal, good sealing performance
- Can be used repeatedly, no need to replacing the sealing material
- Easy for installation, operation and maintenance
- Passive splitter closure has enterprise standard with many national patents.

Technical Parameter

| Item | Parameter |
|-----------------------|---|
| Name | Fiber Optic Splice Closure |
| Model | OP-V120 Series |
| Material | (ABS+PC)/PP |
| Gross weight | 2.1-2.4KG |
| Type | vertical |
| Install Method | wall-mounted,pole mounting,aerial,pipe-lined,manhole. |
| Optical fiber | 12/24/36/48/60/72/84/96 Fiber |
| Operating temperature | -40℃-60℃ |
| Tensile strength | ≥1000N |
| Protection level | IP68 |
| Color: | black/white |
| Air Pressure | 70kPa ~106kPa |
| Humidity | ≤95% (at 40℃) |
| Size | Φ 120X360X6 hole |

Installation Methods



Remark:Please refer to the instruction manual for the detailed components.

Application

- Aerial-hanger
- Wall-mounting
- Directly buried

Order Information

| Model | Decription |
|-------------------|--|
| OP-V120-12 | 12 Fiber Φ 120X360X6 hole Waiting fiber length:1M |
| OP-V120-24 | 24 Fiber Φ 120X360X6 hole Waiting fiber length:1M |
| OP-V120-30 | 30 Fiber Φ 120X360X6 hole Waiting fiber length:1M |
| OP-V120-42 | 42 Fiber Φ 120X360X6 hole Waiting fiber length:1M |
| OP-V120-60 | 60 Fiber Φ 120X360X6 hole Waiting fiber length:1M |
| OP-V120-72 | 72 Fiber Φ 120X360X6 hole Waiting fiber length:1M |
| OP-V120-84 | 84 Fiber Φ 120X360X6 hole Waiting fiber length:1M |
| OP-V120-96 | 96 Fiber Φ 120X360X6 hole Waiting fiber length:1M |

Important Notice

Performance figures, data and any illustrative material provided in this data sheet are typical and must be specifically confirmed in writing by OPTOSTAR before they become applicable to any particular order or contract. In accordance with the OPTOSTAR policy of continuous improvement specifications may change without notice.

The publication of information in this data sheet does not imply freedom from patent or other protective rights of OPTOSTAR or others. Further details are available from any OPTOSTAR sales representative.



Contact OPTOSTAR

Shenzhen Optostar Optoelectronics Co., Ltd

Address:A-14,Haide Building,the Intersection of Nanxin Road and Haide Second Road Nanshan District Shenzhen,China .

Tel: +86-755-26400198 +86-755-26400288 Fax: +86-755-26411001

Email: info@optostar.com.cn

Skype:ouyangroya

Web: www.optostar.com.cn