



## OP-EOCS40011W 4FE WIFI EOC SLAVE



OPTOSTAR OP-EOCS40011W is the EOC slave based on HomePlug AV solution for Ethernet access over coax. It works together with EOC master which is based on HomePlug AV solution as well to construct a two-layer Ethernet data transmission channel on CATV coax cable, provide the Ethernet access service based on the existing coax cable networking.

OP-EOCS40011W is the slave with 4 Ethernet ports and WIFI.

OP-EOCS40011W is based the Qualcomm chipset solution , with high anti jamming capability OFDM technology. The 7.5-65MHz low frequency band is used for EOC signals. Built in high isolation filter as CATV RF and EOC signal mixer, the EOC signal and CATV signal in 87~862MHz can run on one cable without interference. The PHY Layer speed is 600Mbps,the MAC Layer throughput is up to 320Mbps.

## Features

- Based on HomePlug AV solution and Qualcomm chipset
- 5-65Mhz frequency for EOC signals., no influence on CATV Service
- PHY Layer speed 600Mbps
- Support data encryption
- 4 100M auto-negotiation Ethernet port
- Support the isolation of slave under one master
- Support Port-based VLAN and 802.1q VLAN
- Support bandwidth limited
- Support QOS configuration based on slave port or VLAN.
- Support broadcast storm control.
- Support data packages count
- Automatically distribute configurations to newly connected slaves, available to use as soon as correctly connected and power on.
- Support WEB,CLI and SNMP management
- Support on-line upgrading

## Parameter

Item	Parameters	OP-EOCS40011W
<b>Interface &amp; indicator</b>	RF interface	1*TV(RF signal) OUTPUT, metric F connector 1*CABLE(MIX)INPUT, metric F connector
	Ethernet interface	4*10/100M auto-negotiation, RJ45
	Power interface	1*DC12V power supply interface
	LED indicators	1 x power indicator 1 x system indicator 1 x CABLE indicator 1 x WIFI indicator LAN indicator(each Ethernet port has 1 indicator)
<b>Performance parameters</b>	RF parameters	Frequency:7.5-65MHz Output level:110±5dBuV
		Receive sensibility:45dBuV Return loss:>15dB

		Output impedance:75Ω
	Transmission	PHY Layer:600Mbps Throughput on MAC Layer:320Mbps
	Modulation Mode	OFDM– 2690-carriers 4096/1024/256/64/16/8-QAM, QPSK, BPSK, ROBO
	Working Mode	TDMA/CSMA
	Encryption Mode	AES-128
<b>Standard</b>	EOC Standard	IEEE P1901(Draft) HomePlug AV
	Ethernet Standard	IEEE 802.3, IEEE 802.3x, IEEE 802.3u IEEE802.1P, IEEE802.1Q
<b>Software</b>	Network Management	WEB, CLI, SNMP
	Software Features	VLAN, QOS, Bandwidth Control, Broadcast storm limitation
<b>Physical Features</b>	Power supply & Consumption	Power adapter:12VDC1A Power consumption: <8W
	Dimension	160×120×32mm
	Weight	0.5kg
	Environment Attribute	Work temperature: 0~50℃ Stock temperature: -40~85℃ Work humidity: 10%~90%, non-condensation Stock humidity: 10%~90%, non-condensation

## Application

- ✧ CATV
- ✧ Internet Access
- ✧ VOD
- ✧ IPTV

✧ Camera monitor system

## Network Construction

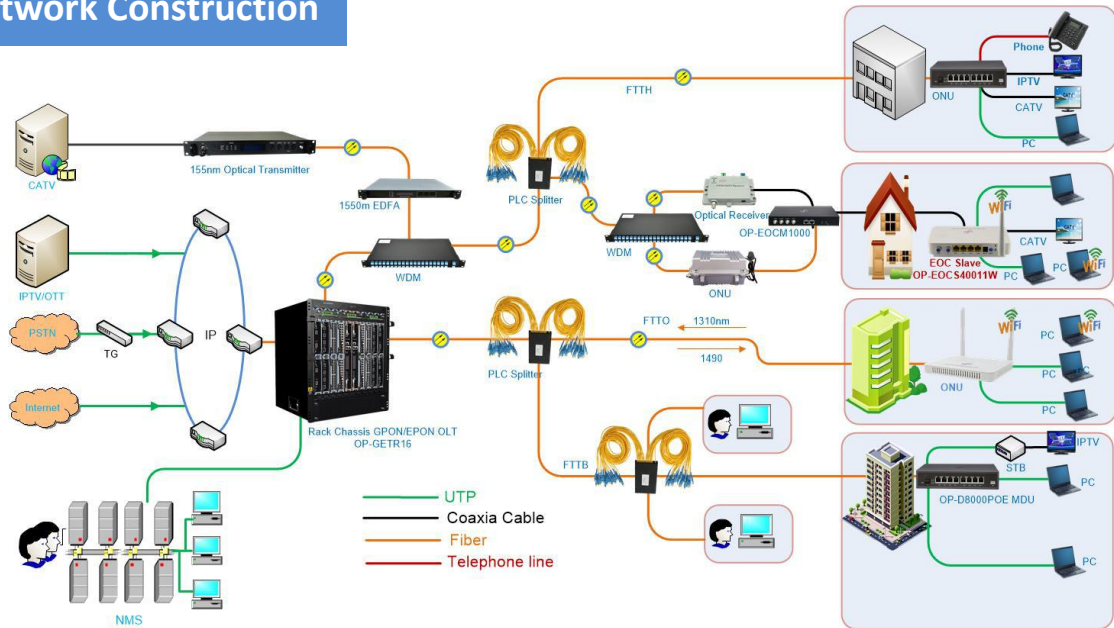


Figure: OP-EOCS40011W Application Diagram

## Ordering Information

Product Name	Product Model	Descriptions
4FE WIFI EOC SLAVE	OP-EOCS40011W	1*TV(RF signal) OUTPUT +1*CABLE(MIX)INPUT+4*10/100M auto-negotiation, RJ45+WIFI