



10/100/1000M Unmanaged Industrial Fiber Media Converter

OP-S4G2H-I



Shenzhen Optostar Optoelectronics Co., Ltd

2013. 10 (Version 1)

Overview

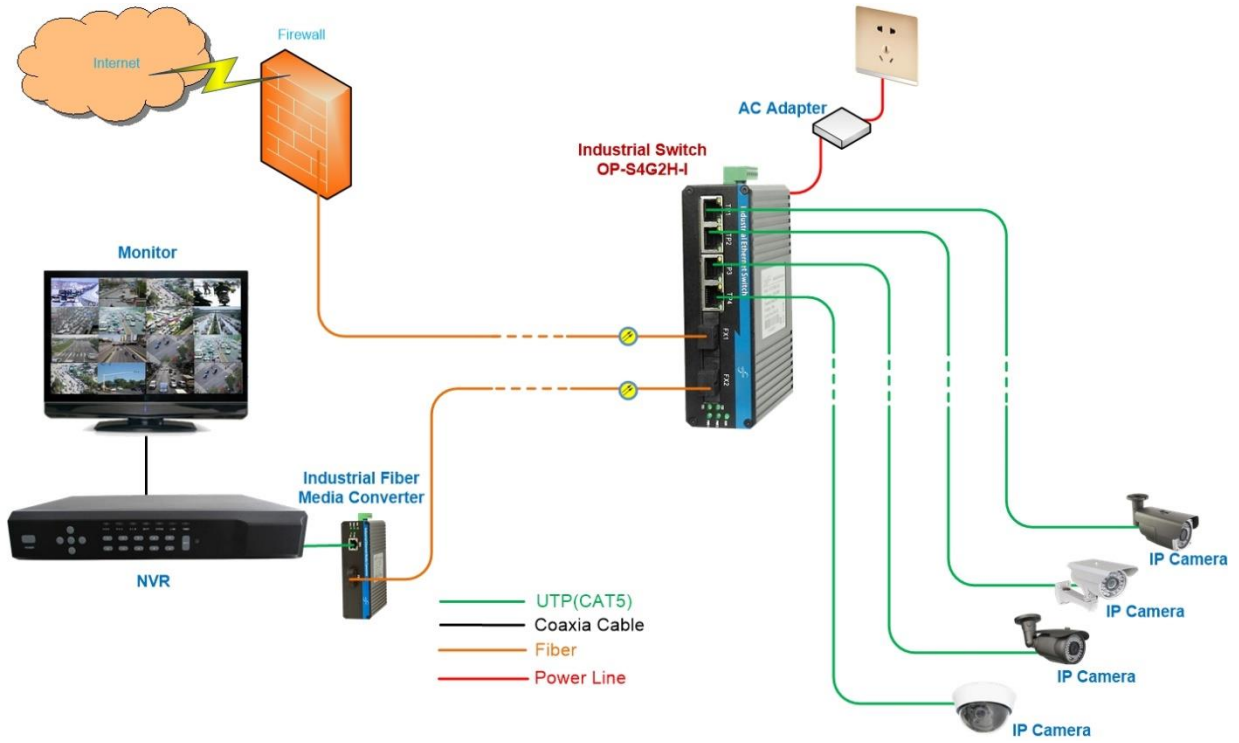
This unmanaged industrial Ethernet switch is designed to match the critical industrial standards. With reliable and simple operation against vibration and shock, and wide operation temperature range, it could match a variety of harsh environment.

The switch complies with CE, FCC and RoHS standards, and passed the 100% burning test to ensure that it will fulfill the needs of industrial applications. It is a good choice for an economical solution for industrial Ethernet connections.

Features

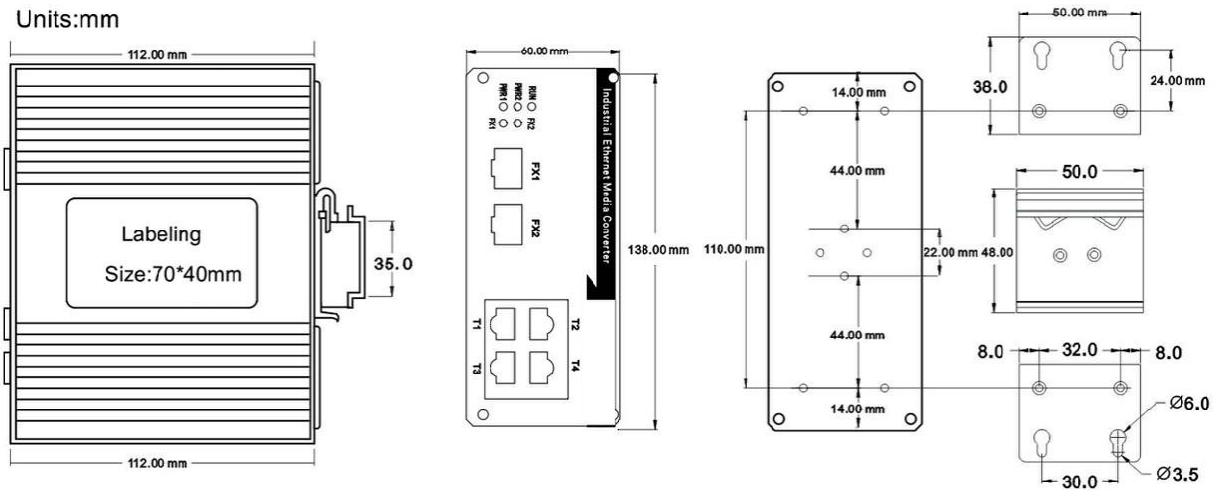
- 4*1000Base-T(X) ports and 2*1000Base-FX port
- 10/100/1000M auto-negotiation , Full/Half duplex mode, auto-MDI-MDI-X
- Super lightning protection, IP40 protection
- Excellent heat elimination without cooling fan
- Redundant dual DC power inputs
- -40°C-85°C operating temperature range
- Packet Buffer Size: 1Mbit
- Din-Rail mounting, Wall mounting design, easy to install and use
- MAC Table Size: 1K

Application



Mechanical Dimensions

Units:mm



Technical Indexes

Standard	Shock: IEC 60068-2-27 Free Fall: IEC 60068-2-32 Vibration: IEC 60068-2-6 EMI: FCC CFR47 Part 15, EN55022/CISPR22, Class A Industry: IEC61000-6-2 Rail: EN50155, EN50121-4 Traffic: NEMA TS-2
EMS	EN61000-4-2 (ESD), Level 3 EN61000-4-3 (RS), Level 3 EN61000-4-4 (EFT), Level 3 EN61000-4-5 (Surge), Level 3 IEC61000-4-8(100A/m), Level 3 IEC61000-4-11, Level 3
Copper Port	4*RJ45 Ports: 1000Base-T(X) auto negotiation Comply with IEEE802.3, IEEE802.3u, 10/100/1000Base-TX 10/100/1000Base-TX auto negotiation speed Full/Half duplex mode Auto MDI-MDI-X connection Up to 100M Cat-5 transmission distance
Fiber Port	2*1000Base-FX port (SC/ST/FC connectors optional) Comply with IEEE802.3u, 1000Base-FX Rate: 1000Mbps Wavelength: 850nm/1310nm/1550nm Up to 550m transmission distance with multi-mode Up to 20km,40km,60km,80km transmission distance with single-mode SC/ST/FC interfaces optional
Switch Properties	MAC Table Size: 1K Packet Buffer Size: 1Mbit Processing Type: Store and Forward Exchange Properties: 1488000pps (1000M)
Power	Input Voltage: 24V DC(18-36VDC), Redundant dual inputs Input Current: <0.5A @24VDC Overload Current Protection: Present Reverse Polarity Protection: Present Redundant Protection: Present
Environmental Limits	Operating Temperature: -40°C-85°C Storage Temperature: -40°C-85°C Ambient Relative Humidity: 5%-95% (non-condensing)
Warranty	5 years



Physical Characteristics	Housing: Aluminum Alloy material with IP40 Protection Dimension: 138mm(L) X 112mm(W) X 42mm(H) Weight: 480g Installation: Din-Rail mounting, Wall mounting
--------------------------	---

Order Information

Model	Description
OP-S4G2H-I	4*1000Base-T(X) ports and 2*1000Base-FX port
Note:1. Multi-mode/ Single-mode Optional 2. 550M,20KM,40KM,60KM,80KM Optional 3. Wavelength: 850nm/1310nm/1550nm 4. LC/FC/SC/ST Optional 5. Dual Fiber/ Single Fiber Optional	

Package include

No	Package List
1	4*1000Base-T(X) ports and 2*1000Base-FX port
2	Power Adapter
3	User Guide
4	Warranty Card

Important Notice

Performance figures, data and any illustrative material provided in this data sheet are typical and must be specifically confirmed in writing by OPTOSTAR before they become applicable to any particular order or contract. In accordance with the OPTOSTAR policy of continuous improvement specifications may change without notice.

The publication of information in this data sheet does not imply freedom from patent or other protective rights of OPTOSTAR or others. Further details are available from any OPTOSTAR sales representative.

Contact OPTOSTAR

Shenzhen Optostar Optoelectronics Co., Ltd

Address:A-14,Haide Building,the Intersection of Nanxin Road and Haide Second Road Nanshan District Shenzhen,China .

Tel: +86-755-26400198 +86-755-26400288 Fax: +86-755-26411001

Email: info@optostar.com.cn

Skype:ouyangroya

Web: www.optostar.com.cn