



**FC/UPC Male to Female build out single mode attenuator**



**Shenzhen Optostar Optoelectronics Co., Ltd**

**2011. 03(Version 2)**

## Overview

OPTOSTAR offers a wide range of fiber optic Attenuators. Available for Singlemode 9/125, Multimode 50/125 and Multimode 62.5/125 applications. Our Male to Female buildout Optical Attenuation (pads) are available in all fiber modes. LC attenuators, ST, SC, LC/APC, SC/APC, FC and FC/APC types.

The adjustable attenuator uses an Air gap for the attenuation value and is available with a ST or FC configuration. The Variable attenuator is our newest addition. The In-line type are custom manufactured to meet the length and connector type for the customer's needs. Our most popular type is the buildout male to female type attenuator. Available in all fiber modes and connector types.

Fiber optic attenuators are used in fiber optic communications to reduce the optical fiber power by a certain level. The most commonly used type is female to male plug type fiber optic attenuator. It has the optical fiber connector at one side and the other side is a female type fiber optic adapter, fiber optic attenuator name is based on the connector type and the attenuation level. FC fiber optic attenuator means this attenuator uses FC fiber optic connector, and it can reduce the optical fiber power level. Commonly used attenuation range is from 1dB to 25dB.

## Product Features

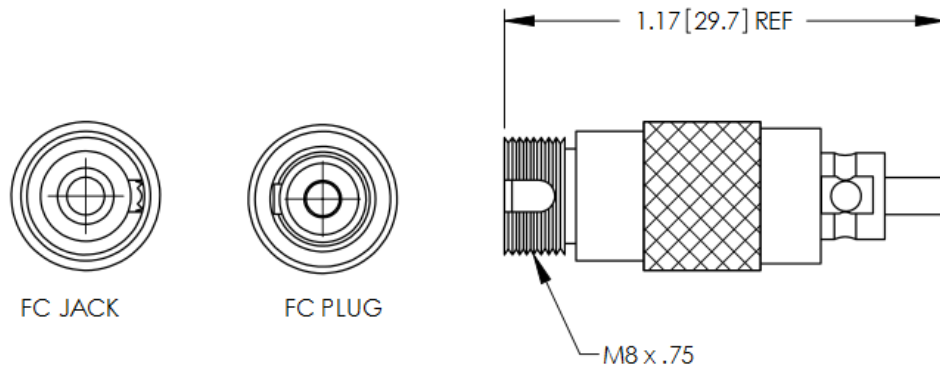
- High Precision Fiber Optic Ceramic Ferrules
- Snap in Body for Fast Mating and De-Mating
- Highly Reliable Physical Contact Connectors
- Accurate Attenuation
- Free of Hazardous Substances According to RoHS 2002/95/EG to be RoHS Compliant
- 1310 to 1550nm Wavelength Singlemode Attenuators
- 850nm Attenuation for Multimode 50µm and 62.5µm
- Attenuating material-Ion Doped Fiber
- Ceramic ferrules provide precise alignment

### Application

- Fiber optic communication systems.
- Fiber optic CATV
- Fiber optic test

### Optical Specificatons

| FC/UPC Male to Female build out single mode attenuator |                   |
|--|-------------------|
| Return Loss  | <-55dB            |
| Attenuation Tolerance 1 to 10db                        | +0.5              |
| Attenuation Tolerance 12 to 25db                       | +5%               |
| Single Mode Wavelengths (nm)                           | 1310nm and 1515nm |
| Multimode Wavelengths (nm)                             | 850nm and 1310nm  |
| Operating Temperature (C)                              | -40C to +75C      |
| Compliance   | RoHS              |
| Connector Body Color                                   | Metal             |
| Attenuation value                                      | 1-25dB            |
| Connector  | <b>FC/UPC</b>     |



### Important Notice

Performance figures, data and any illustrative material provided in this data sheet are typical and must be specifically confirmed in writing by OPTOSTAR before they become applicable to any particular order or contract. In accordance with the OPTOSTAR policy of continuous improvement specifications may change without notice.

The publication of information in this data sheet does not imply freedom from patent or other protective rights of OPTOSTAR or others. Further details are available from any OPTOSTAR sales representative.



## Contact OPTOSTAR

### **Shenzhen Optostar Optoelectronics Co., Ltd**

Address:A-14,Haide Building,the Intersection of Nanxin Road and Haide Second Road Nanshan District Shenzhen,China .

Tel: +86-755-26400198 +86-755-26400288 Fax: +86-755-26411001

Email: [info@optostar.com.cn](mailto:info@optostar.com.cn)

Skype:ouyangroya

Web: [www.optostar.com.cn](http://www.optostar.com.cn)